

  
**PRINZ**  
KETTENSÄGETECHNIK



# PACKAGE SAWS

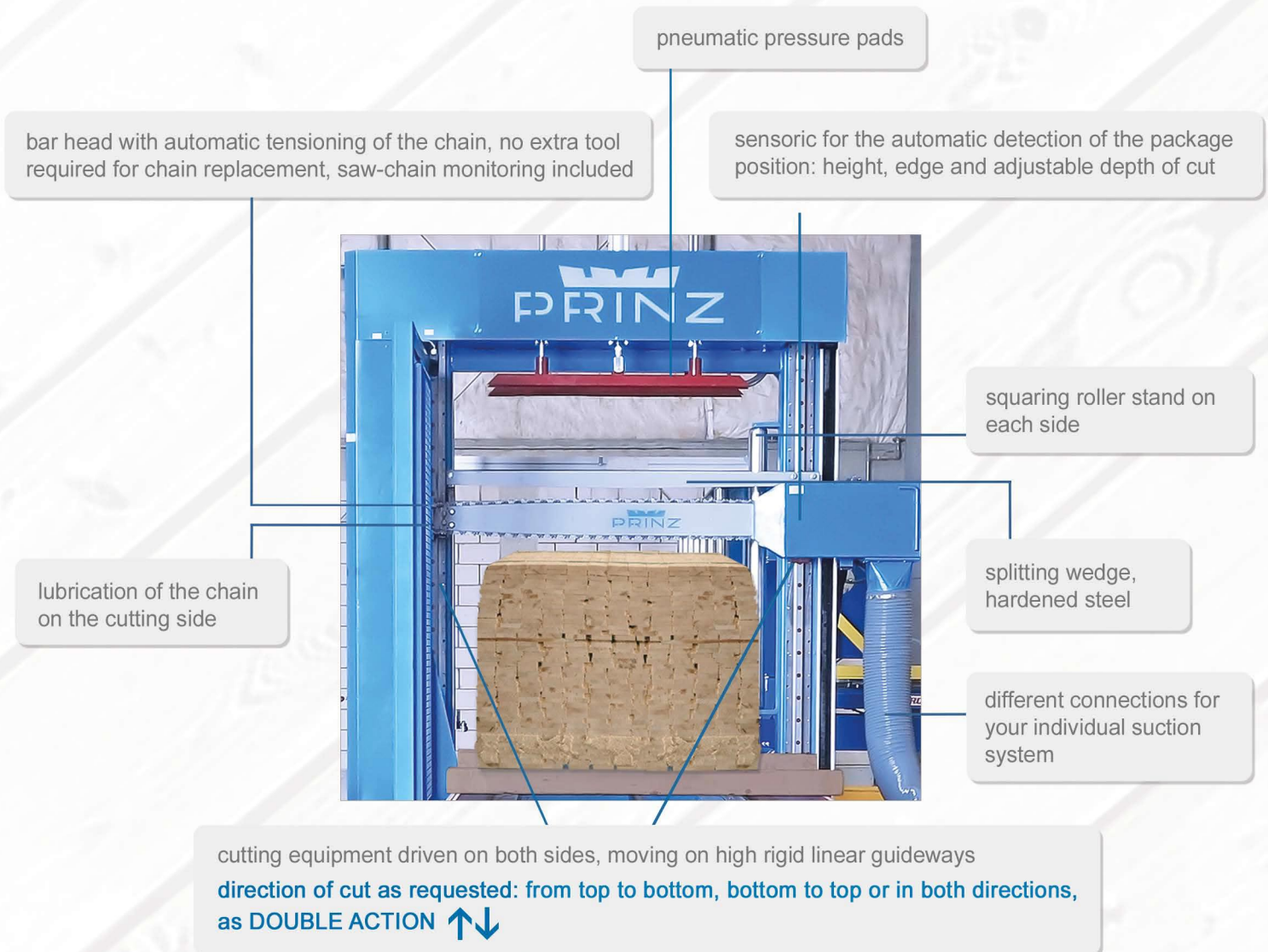
PARALLEL GUIDED

W O O D

## SAW UNIT PC120

The PC120 is a universal package saw unit combinable with many different solutions. The intelligent control, the heavy-rugged construction and the parallel powered precision guides ensure the highest cut accuracy and working comfort.

- + Saw engine: 15 kW, feed fo cut: 1,5 kW
- + Cut accuracy +/- 1mm, minimum
- + Sturdy heavy duty steel construction: 1.800 kg
- + Direction of cut as requested: from top to bottom, bottom to top or in both directions (**DOUBLE ACTION** ↑↓)
- + Selection of high-quality components
- + Passage for packages up to 1.350 x 1.350 mm



P A R A L L E L   G U I D E D

## PC120 WITH ROLLER CONVEYORS

The packages are loaded on to a roller conveyor of variable size and move forward to the saw. The length for the unloading of the packages is also individually customised and combinable with different transport solutions.

- + Benefits: quick cutting process due to separated feeding and outfeeding systems



## PC120 WITH CHAIN CONVEYOR



To move not only packages but also glulam beams and similar materials.

+ Benefits: universal application and expandable at will



## ULTRACUT

In the ULTRACUT the package is positioned precisely using a carriage. The carriage size varies to best meet your requirements.

+ Benefits: efficient and quick



# P A R A L L E L G U I D E D

## CUTSTAR

In the CUTSTAR the package is stationary on the frame. The saw travels to the cut position. The frame size is adaptable to your needs.

+ Benefits: compact and space saving solution



## PACKCUT

The package frame can be configured according to your requirements. The saw moves on rails to the required position.

+ Benefits: flexible in width, height and length





## OPTIONS

Many options and extensions are available for all PRINZ high capacity installations.



+ Several control systems from manual to automatic



+ Laser light for showing cut position



+ Serial cuts



+ Length measuring

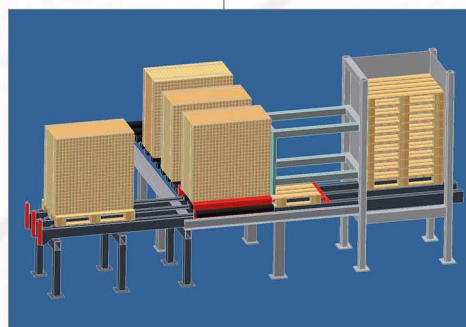
+ Kerf opening

+ Various solutions for waste removal



# P A R A L L E L G U I D E D

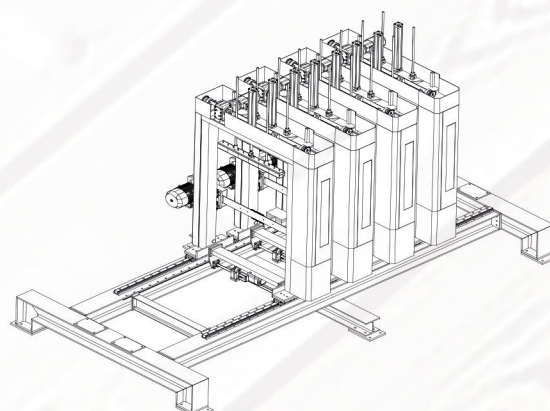
- + Safety curtains and holding down pressure pads
- + Vibrating table for package alignment
- + Cross conveyors for loading and unloading of packages
- + Strapping machine with optional magazine for bearers, semi- and full automatic control system
- + Maintenance bridge
- + Palletising of your packages, semi- and fully automatic control system
- + Customised housings for operator protection and noise reduction



# PC120 X-CUT

By using as many cutting units as requested, one package can be totally processed at a single work flow.

+ Benefits: several cuts at a time



V1-20 | Errors and misprints excepted.



**PRINZ**  
KETTENSAGETECHNIK

PRINZ GmbH - Ofenlochstraße 23 - A-3382 Loosdorf  
Phone +43 2754/ 6354 - Fax +43 2754/ 2239 - E-Mail info@prinz.at - Web www.prinz.at